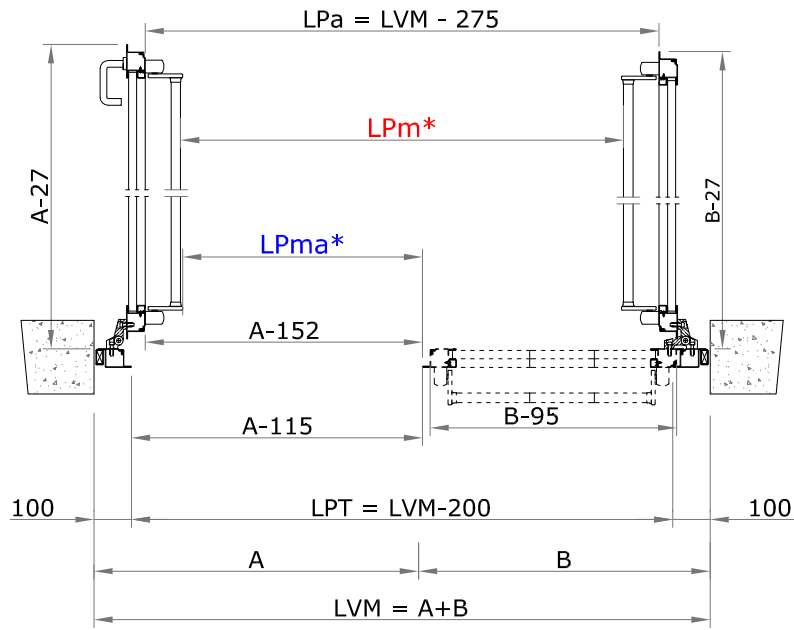
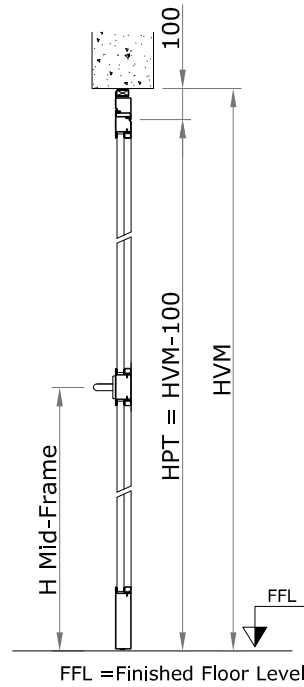


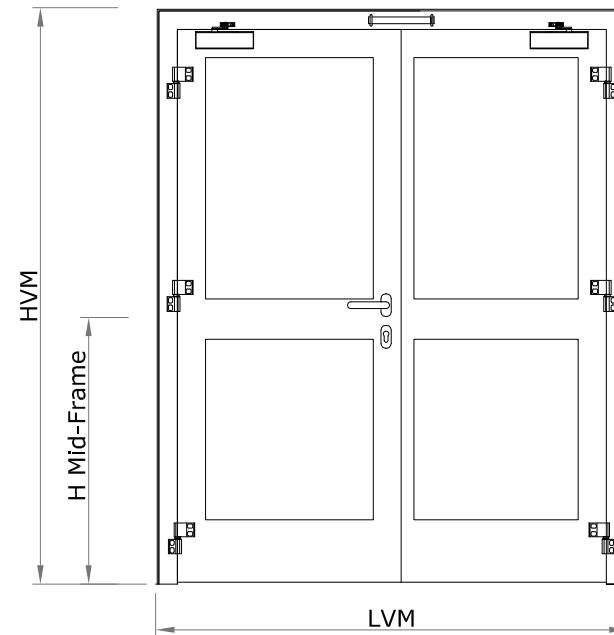
Horizontal Sec.



Vertical Sec.



Pull side view



ACCESSORIES

- " V " arm door closer
- Slide arm door closer  
A>1000 mm B>1000 mm
- Door closer with integrated  
mechanical door coordinator
- Door selector
- Couple of handle on round  
rose and lock profile
- Standard Lever Panic Bar
- Standard Lever Panic Bar  
on secondary leaf
- Push-bar
- Push-bar  
on secondary leaf
- Electrical handle
- RAL .....

LVM= Structural opening width

HVM=Structural opening height

LVP = Frame Passage Width

HVP = Frame Passage Height

LPa = Leaf Passage width

LPm\* = Panic bar passage width

LPma\* = Panic bar leaf passage width

LPma\*

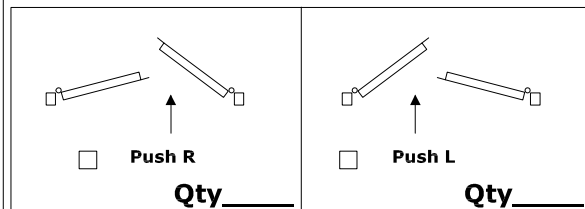
Standard Lever = A-255 ..... ( ) mm.

Push-Bar= A-220.....( ) mm.

LPm\*

Standard Lever = LVM-475 .....( ) mm.

Push-Bar = LVM-405 ..... ( ) mm.



EI 30 glass (internal use)

EI 60 glass (internal use)

H Mid-Frame =                      mm.

Dimensions mm.

LVM \_\_\_\_\_ x HVM \_\_\_\_\_

LVM = A+B

A=B \_\_\_\_\_

In case of fanlight please specify the  
full height passage (HPT)

HPT = \_\_\_\_\_



**VECTRA/C**  
STEEL OPENABLE GLAZED FIREDOORS  
EI 30/60  
(Two symmetrical leaves)

Assembly Type "1"

Client: \_\_\_\_\_

Order n° \_\_\_\_\_ date \_\_\_\_\_

Ref. : \_\_\_\_\_

Stamp and Signature

Date: