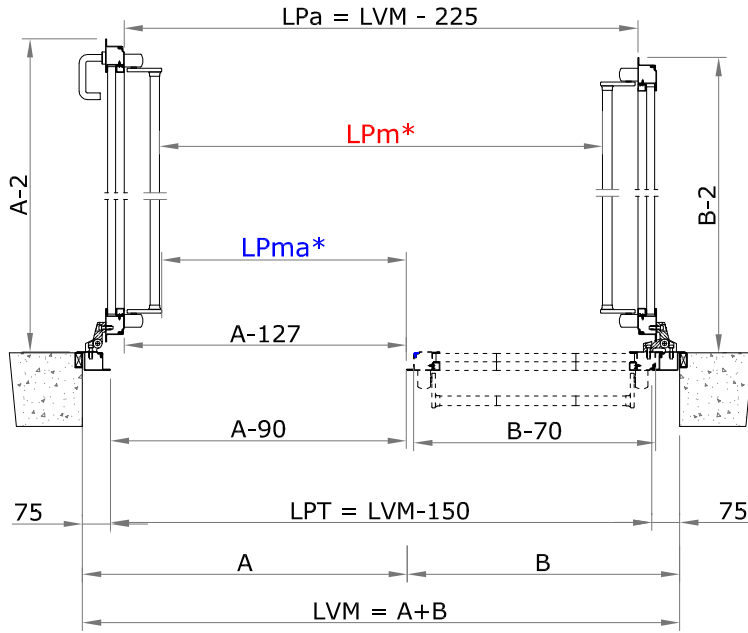
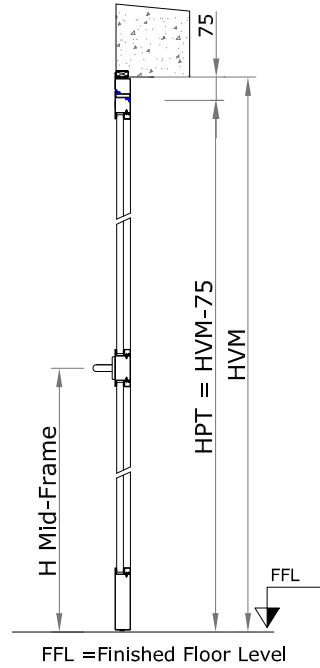


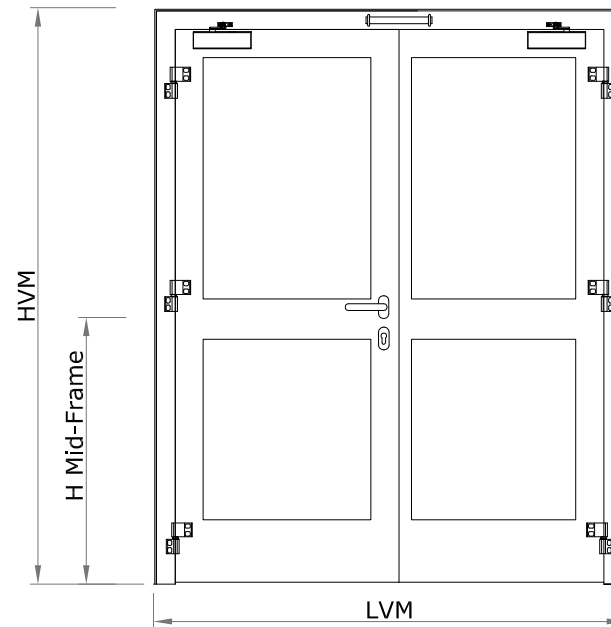
Horizontal Sec.



Vertical Sec.



Pull side view



ACCESSORIES

- " V " arm door closer
- Slide arm door closer
A>1000 mm B>1000 mm
- Door closer with integrated mechanical door coordinator
- Door selector
- Couple of handle on round rose and lock profile
- Standard Lever Panic Bar
- Standard Lever Panic Bar on secondary leaf
- Push-bar
- Push-bar on secondary leaf
- Electrical handle
- RAL

LVM= Structural opening width

HVM=Structural opening height

LVP = Frame Passage Width

HVP = Frame Passage Height

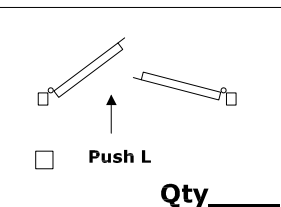
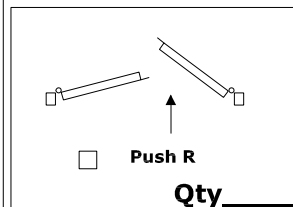
LPa = Leaf Passage width

LPm*= Panic bar passage width

LPma*= Panic bar leaf passage width

LPma*

LPm*



- EI 30 glass (internal use)
- EI 60 glass (internal use)

H Mid-Frame = _____ mm.

Standard Lever = A-255 () mm.

Push-Bar= A-220.....() mm.

Standard Lever = LVM-475() mm.

Push-Bar = LVM-405 () mm.

Dimensions mm.

LVM _____ x HVM _____

LVM = A+B

A=B _____

In case of fanlight please specify the full height passage (HPT)

HPT = _____



VECTRA/C
STEEL OPENABLE GLAZED FIREDOORS
 EI 30/60
 (Two symmetrical leaves)
 Assembly Type "2a and 2b"

Client: _____

Order n° _____ date _____

Ref. : _____

Stamp and Signature

Date: