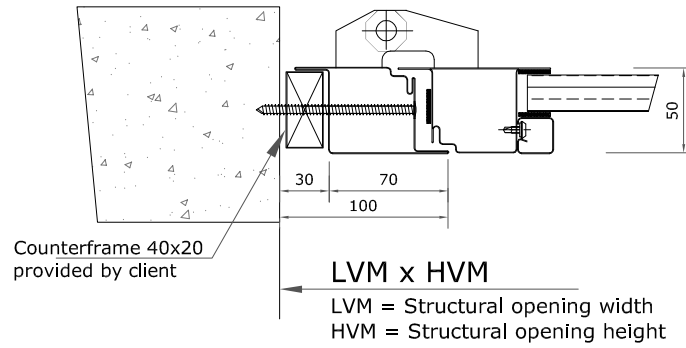


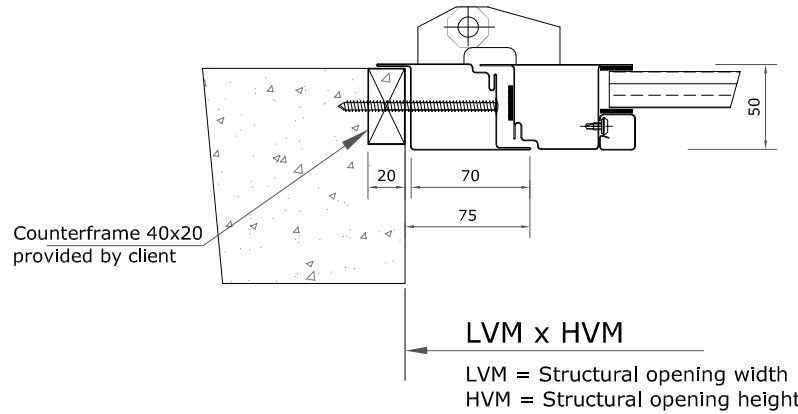
1

HALLWAY ASSEMBLY
(with external wall counterframe)



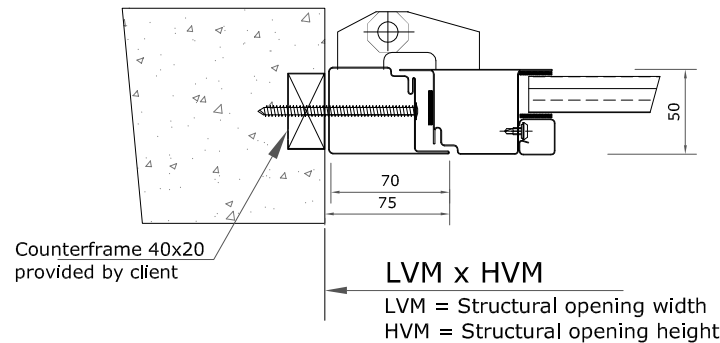
2a

CORNER ASSEMBLY
(Wall embedded counterframe)



2b

CORNER ASSEMBLY (hinge side)
(Wall embedded counterframe)



Fael Security Srl
Via E. Majorana
72100 Brindisi - ITALIA
Tel. 0831-546563 Fax 0831-546674
E-mail: fael@fael.com
Web: http://www.fael.com

VECTRA/C
STEEL OPENABLE GLAZED FIREDOOR
EI 30/60

(Assembly Type)

Client: _____

Order n° _____ date _____

Ref. : _____

Stamp and Signature

Date: