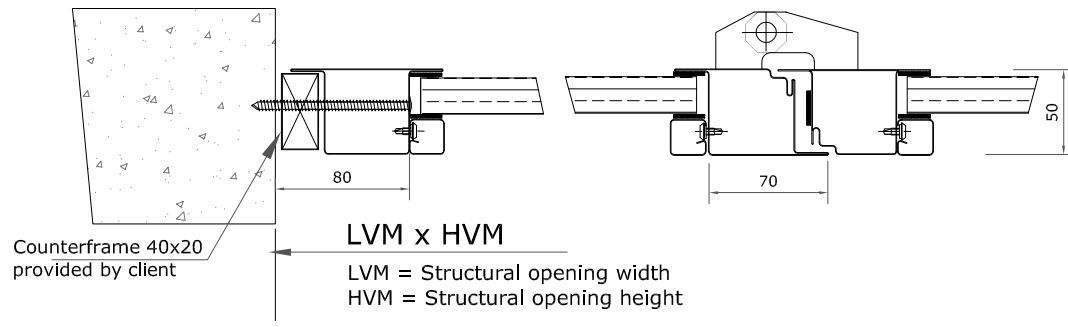


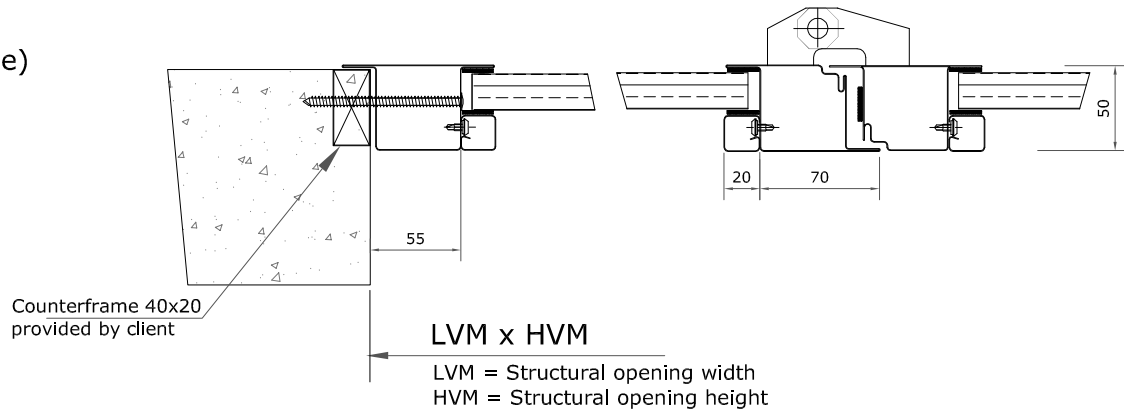
1

**HALLWAY ASSEMBLY**  
(with external wall counterframe)



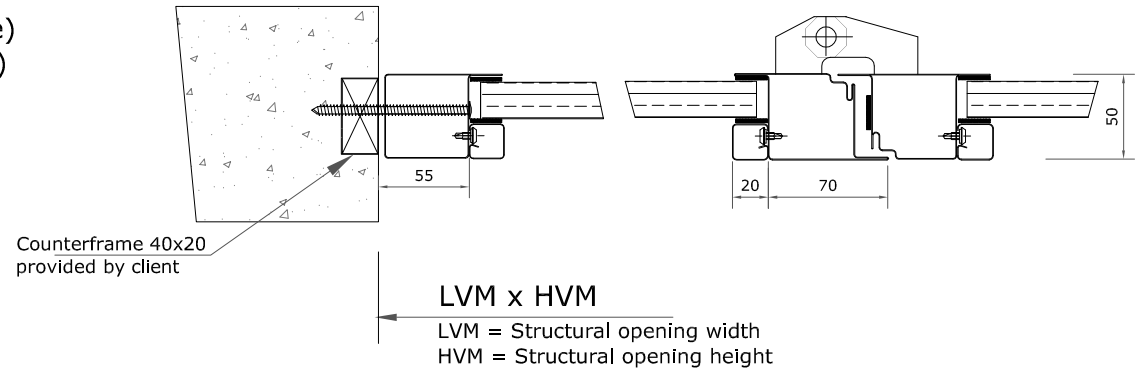
2a

**CORNER ASSEMBLY**  
(Wall embedded counterframe)



2b

**CORNER ASSEMBLY (hinge side)**  
(Wall embedded counterframe)



Fael Security Srl  
Via E. Majorana  
72100 Brindisi - ITALIA  
Tel. 0831-546563 Fax 0831-546674  
E-mail: fael@fael.com  
Web: http://www.fael.com

**VECTRA/C**  
**STEEL OPENABLE GLAZED FIREDOOR**  
**EI 30/60**  
**WITH SIDE PANEL (SINGLE PIECE)**

(Assembly Type)

Client: \_\_\_\_\_

Order n° \_\_\_\_\_ date \_\_\_\_\_

Ref. : \_\_\_\_\_

Stamp and Signature

Date: