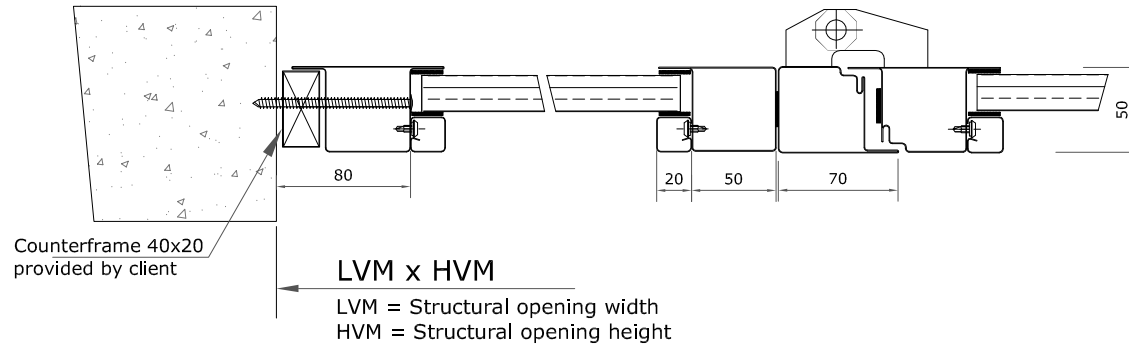
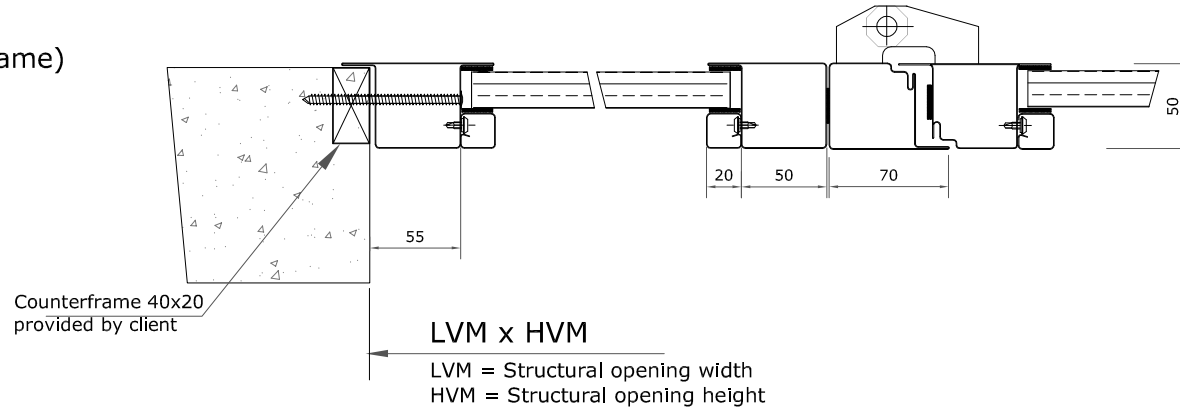


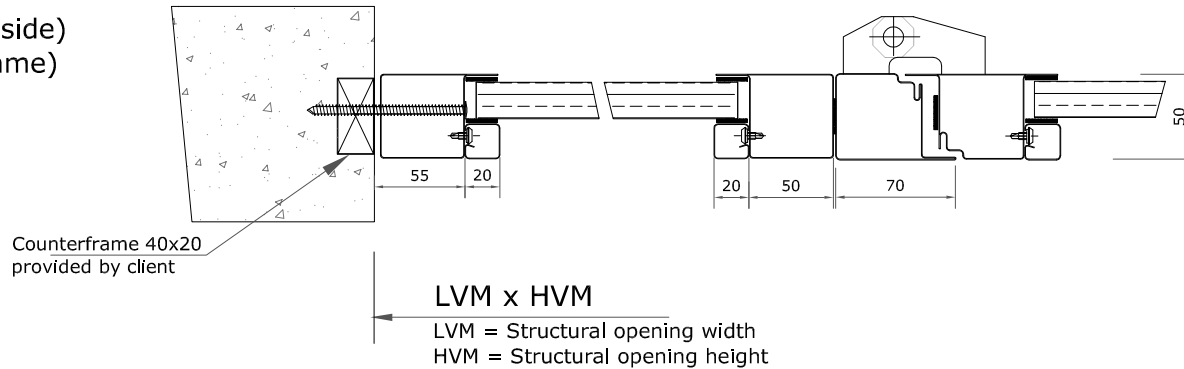
1 HALLWAY ASSEMBLY
(with external wall counterframe)



2a CORNER ASSEMBLY
(Wall embedded counterframe)



2b CORNER ASSEMBLY (hinge side)
(Wall embedded counterframe)



Fael Security Srl
Via E. Majorana
72100 Brindisi - ITALIA
Tel. 0831-546563 Fax 0831-546674
E-mail: fael@fael.com
Web: http://www.fael.com

VECTRA/C
STEEL OPENABLE GLAZED FIREDOOR
EI 30/60
WITH SIDE PANEL (SEPARATE PIECE)

(Assembly Type)

Client: _____

Order n° _____ date _____

Ref. : _____

Stamp and Signature

Date: