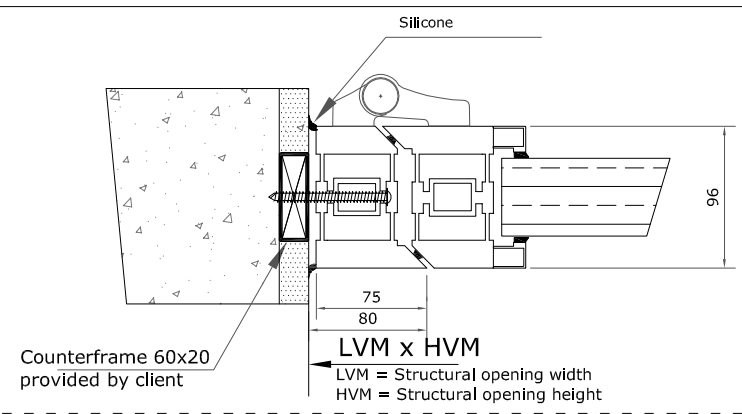


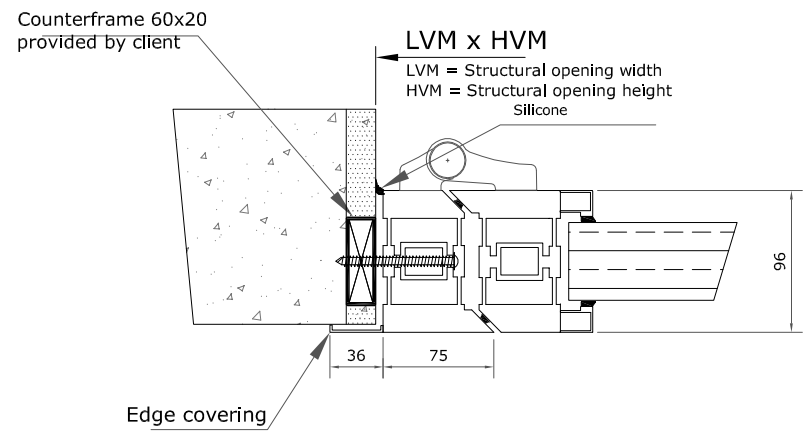
1

HALLWAY ASSEMBLY



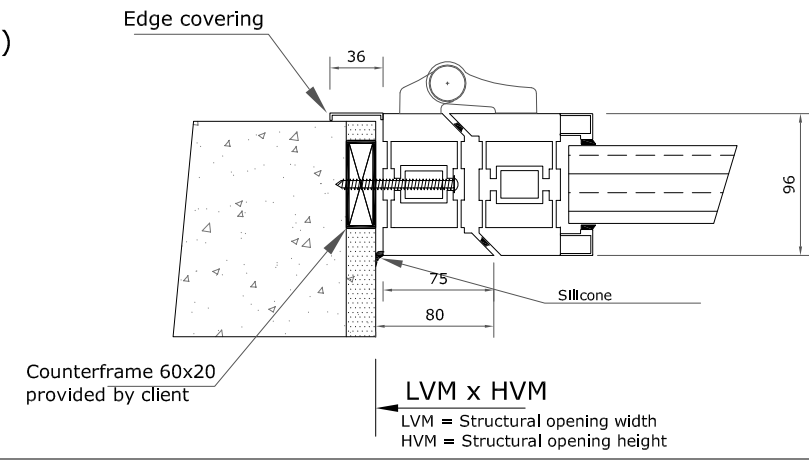
2a

CORNER ASSEMBLY



2b

CORNER ASSEMBLY (hinge side)



Stamp and Signature

Client:

Date