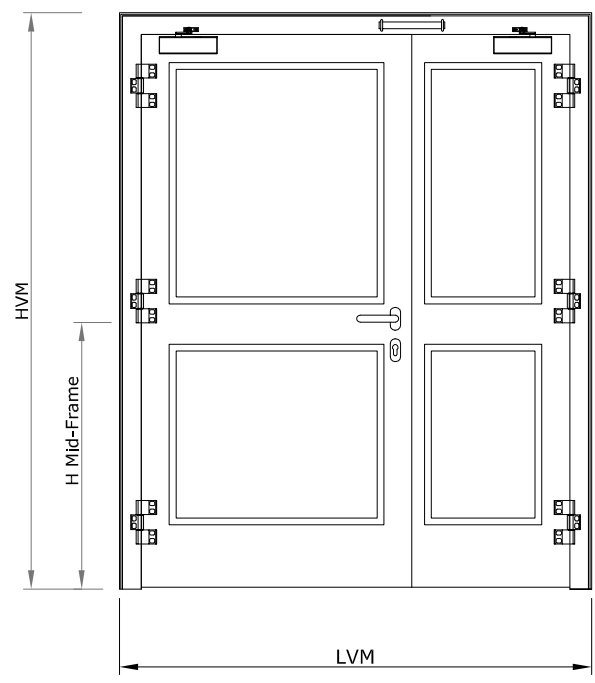
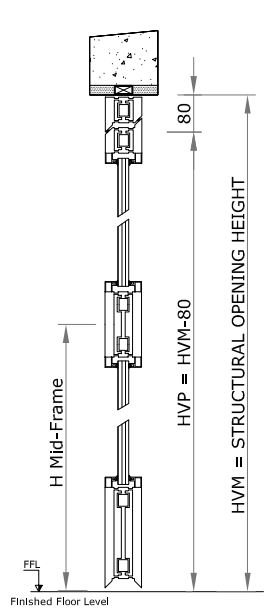
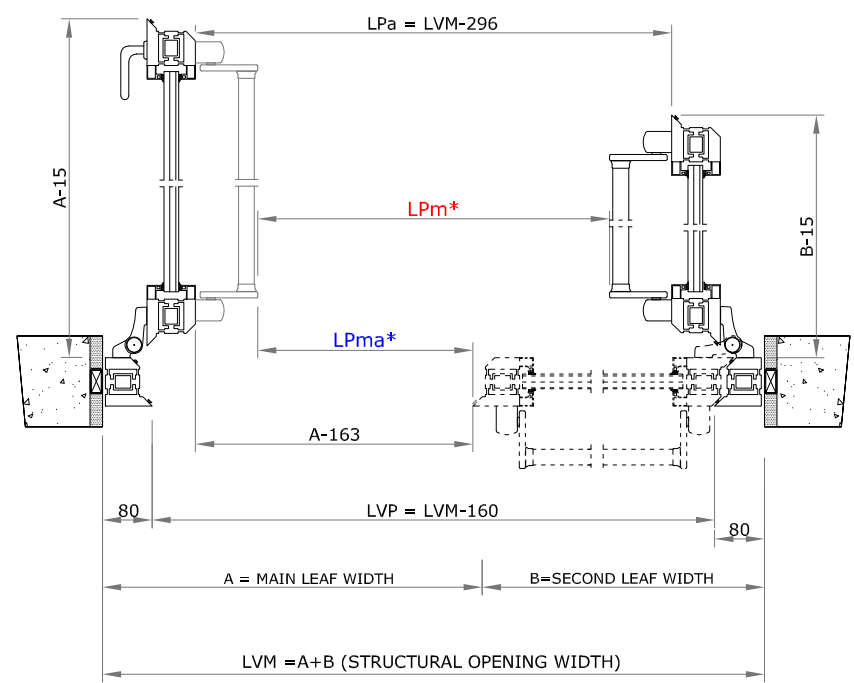


Horizontal Sec.

Vertical Sec.

Pull side view



- ACCESSORIES**
- " V " arm door closer
  - Slide arm door closer  
A>1000 mm B>1000 mm
  - Door closer with integrated mechanical door coordinator
  - Door selector
  - Couple of handle on round rose and lock profile
  - Standard Lever Panic Bar
  - Standard Lever Panic Bar on secondary leaf
  - Push-bar
  - Push-bar on secondary leaf
  - Electrical handle
  - RAL .....

LVM= Structural opening width  
 HVM=Structural opening height  
 LVP = Frame Passage Width  
 HVP = Frame Passage Height  
 LPa = Leaf Passage width  
 LPm\* = Panic bar passage width  
 LPma\* = Panic bar leaf passage width

LPma\*  Standard Lever = A-263 ..... (    ) mm.  
            Push-Bar= A-226.....(    ) mm.  
  
 LPm\*  Standard Lever = LVM-496 .....(    ) mm.  
            Push-Bar = LVM-426 ..... (    ) mm.

Push R  
Qty \_\_\_\_\_

Push L  
Qty \_\_\_\_\_

EI 30 glass (internal use)  
 EI 60 glass (internal use)

H Mid-Frame =            mm.

Dimensions mm.

LVM \_\_\_\_\_ x HVM \_\_\_\_\_

LVM = A+B

A = \_\_\_\_\_ B = \_\_\_\_\_

In case of fanlight please specify the full height passage (**HPT**)

HPT = \_\_\_\_\_



Fael Security Srl  
 Via E. Majorana  
 72100 Brindisi - ITALIA  
 Tel. 0831-546563 Fax 0831-546674  
 E-mail: fael@fael.com  
 Web: http://www.fael.com

*VITRALIGHT*

EI 30/60 ALUMINIUM OPENABLE  
 GLAZED FIREDOOR

ASYMMETRICS TWO LEAVES

Client: \_\_\_\_\_

Order n° \_\_\_\_\_ date \_\_\_\_\_

Ref. : \_\_\_\_\_

Stamp and Signature

\_\_\_\_\_

Date: \_\_\_\_\_