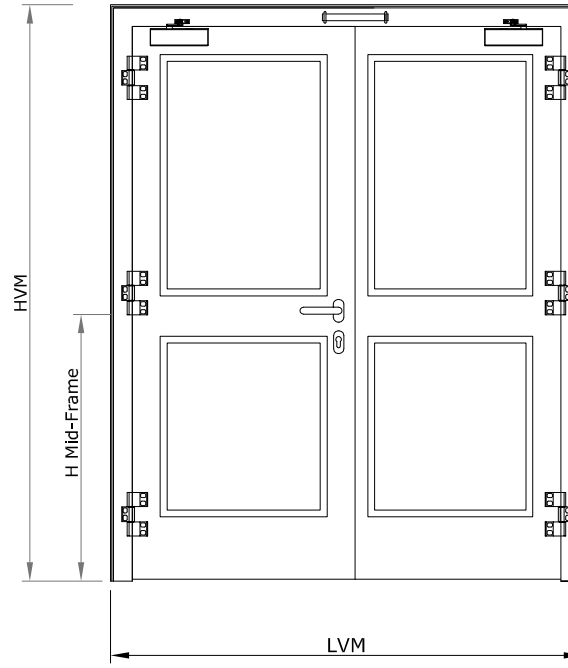
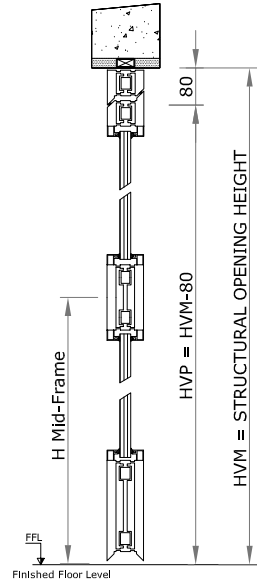
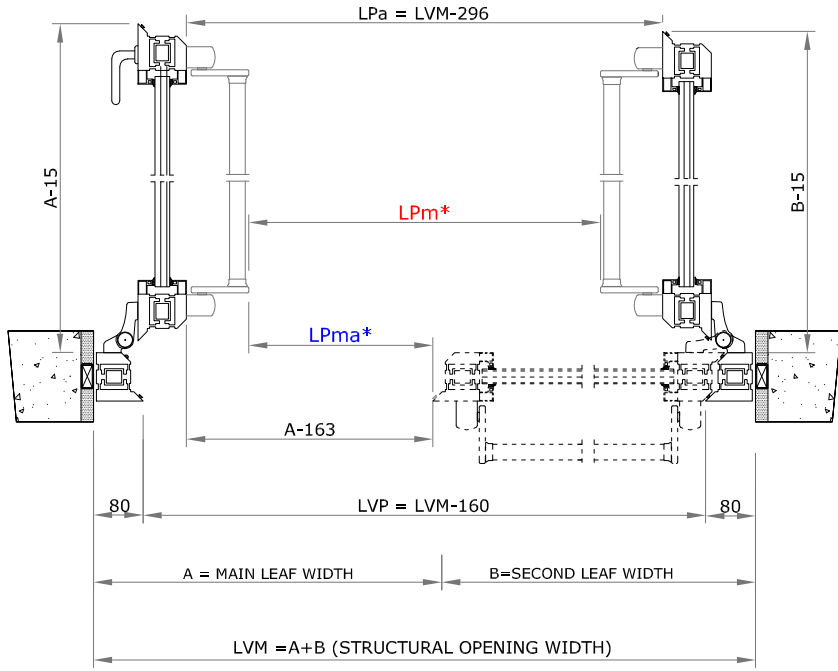


Horizontal Sec.

Vertical Sec.

Pull side view



ACCESSORIES

- " V " arm door closer
- Slide arm door closer  
A > 1000 mm B > 1000 mm
- Door closer with integrated mechanical door coordinator
- Door selector
- Couple of handle on round rose and lock profile
- Standard Lever Panic Bar
- Standard Lever Panic Bar on secondary leaf
- Push-bar
- Push-bar on secondary leaf
- Electrical handle
- RAL .....

LVM= Structural opening width

HVM=Structural opening height

LVP = Frame Passage Width

HVP = Frame Passage Height

LPa = Leaf Passage width

LPm\* = Panic bar passage width

LPma\* = Panic bar leaf passage width

LPma\*

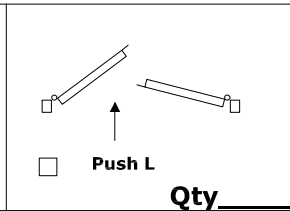
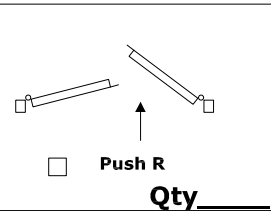
Standard Lever = A-263 ..... ( ) mm.

Push-Bar= A-226.....( ) mm.

LPm\*

Standard Lever = LVM-496 .....( ) mm.

Push-Bar = LVM-426 ..... ( ) mm.



EI 30 glass (External use)

EI 60 glass (External use)

H Mid-Frame =                      mm.

Dimensions mm.

LVM \_\_\_\_\_ x HVM \_\_\_\_\_

LVM = A+B

A=B = \_\_\_\_\_

In case of fanlight please specify the full height passage (HPT)

HPT = \_\_\_\_\_



Fael Security Srl  
Via E. Majorana  
72100 Brindisi - ITALIA  
Tel. 0831-546563 Fax 0831-546674  
E-mail: fael@fael.com  
Web: http://www.fael.com

VITRALIGHT

EI 30/60 ALUMINIUM OPENABLE  
GLAZED FIREDOOR  
(External use)  
SYMMETRICS TWO LEAVES

Client: \_\_\_\_\_

Order n° \_\_\_\_\_ date \_\_\_\_\_

Ref. : \_\_\_\_\_

Stamp and Signature

Date: