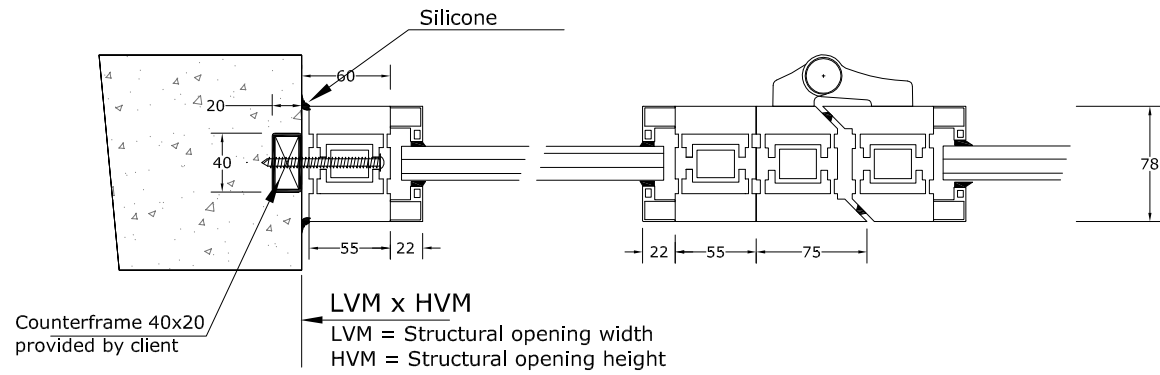


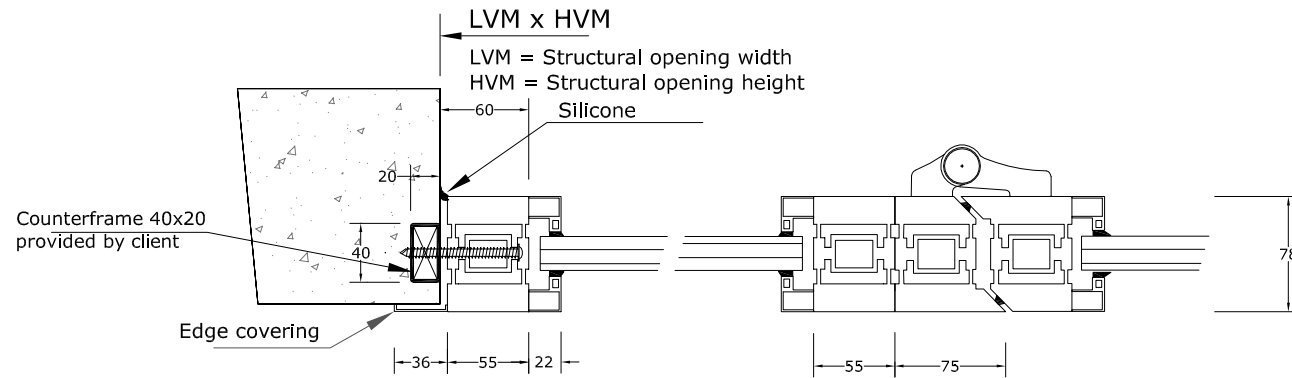
1

HALLWAY ASSEMBLY



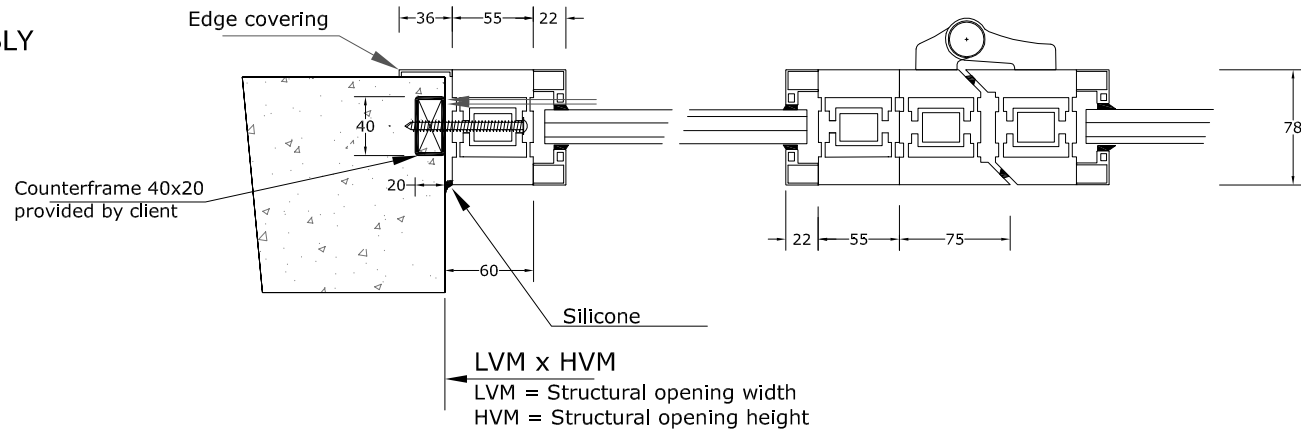
2a

CORNER ASSEMBLY



2b

CORNER ASSEMBLY (hinge side)



Stamp and Signature



Fael Security Srl  
Via E. Majorana  
72100 Brindisi - ITALIA  
Tel. 0831-546563 Fax 0831-546674  
E-mail: fael@fael.com  
Web: <http://www.fael.com>

**VITRALIGHT**  
EI 30/60 ALUMINIUM OPENABLE GLAZED FIREDOOR  
WHIT SIDE PANEL  
(External use)  
(Assembly type)

Client:

Date