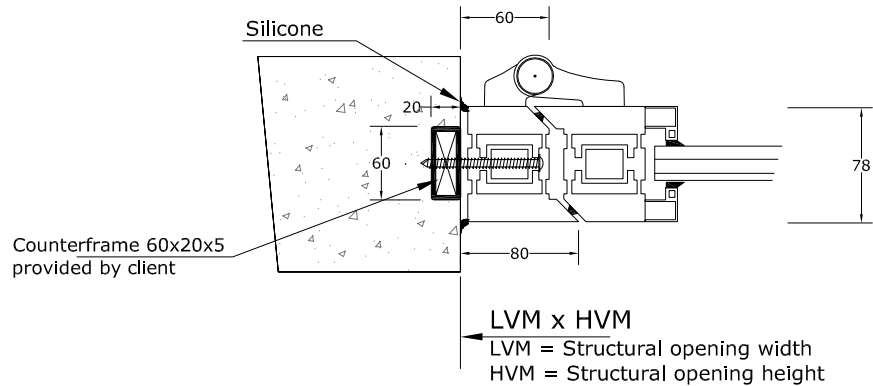


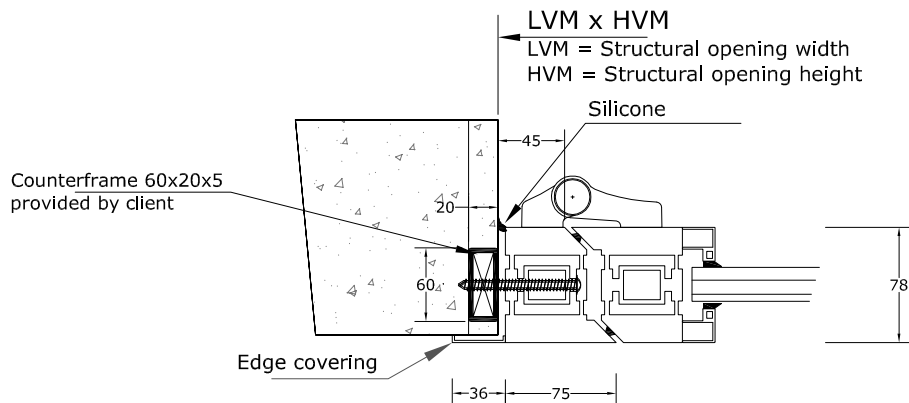
1

HALLWAY ASSEMBLY



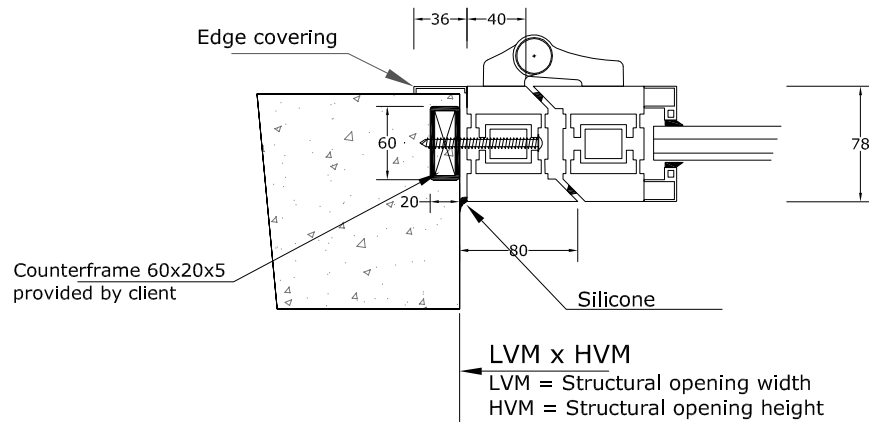
2a

CORNER ASSEMBLY



2b

CORNER ASSEMBLY (hinge side)



Stamp and Signature



Fael Security Srl
Via E. Majorana
72100 Brindisi - ITALIA
Tel. 0831-546563 Fax 0831-546674
E-mail: fael@fael.com
Web: <http://www.fael.com>

VITRALIGHT
EI30/60 ALUMINIUM OPENABLE GLAZED FIREDOOR
BURGLAR-PROOF RC3
(Assembly type)

(Sheet Mod 850-A)

Client:

Date