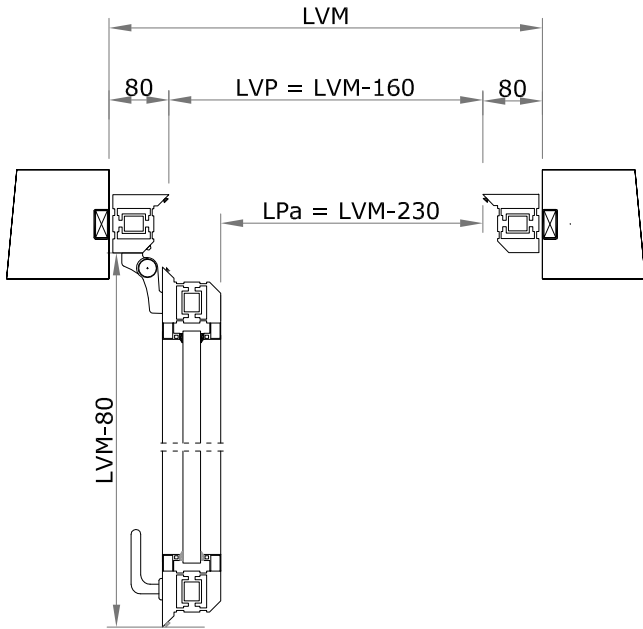
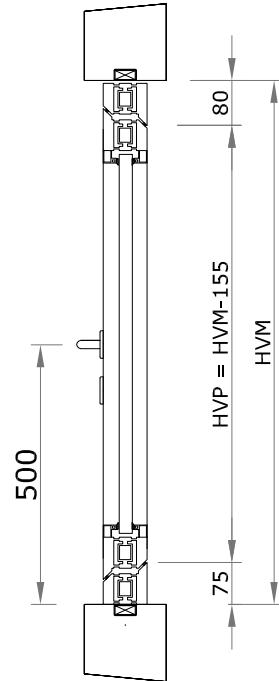


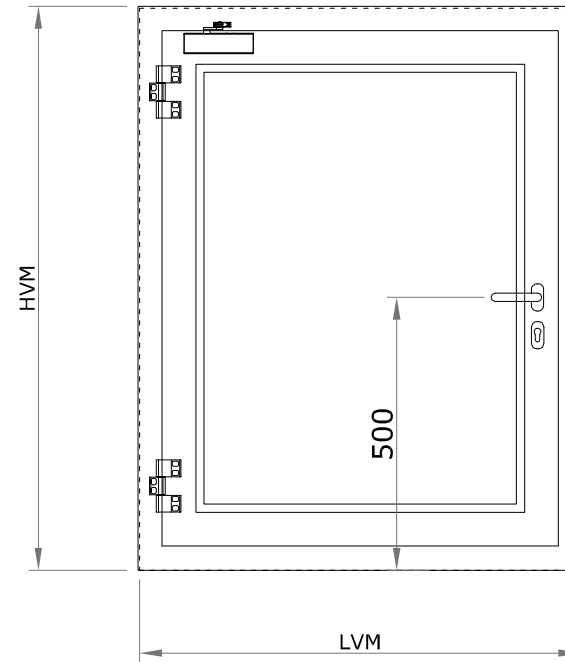
Horizontal Sec.



Vertical Sec.



Pull Side View



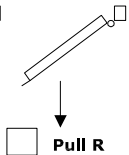
ACCESSORIES

- "V" arm door closer
- Slide arm door closer
- 1/2 Inox handle on rosette and escutcheon (pull side)
- 1/2 cylinder (Pull side)
- RAL .....

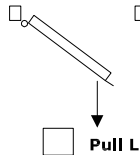
Notes:

LVM = Structural opening Width  
 HVM = Structural opening Height  
 LPT = Frame Passage Width  
 HPT = Frame Passage Height  
 LPa = Leaf Passage Width

Qty. \_\_\_\_



Qty. \_\_\_\_

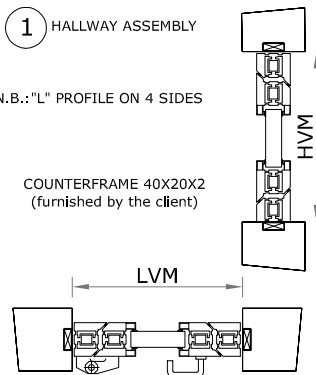


ASSEMBLY TYPE

1 HALLWAY ASSEMBLY

N.B.: "L" PROFILE ON 4 SIDES

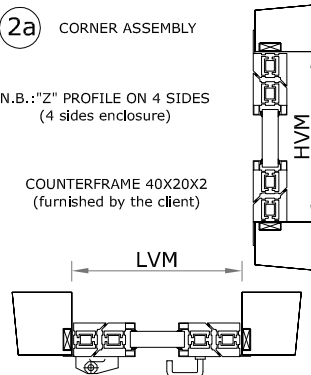
COUNTERFRAME 40X20X2  
(furnished by the client)



2a CORNER ASSEMBLY

N.B.: "Z" PROFILE ON 4 SIDES  
(4 sides enclosure)

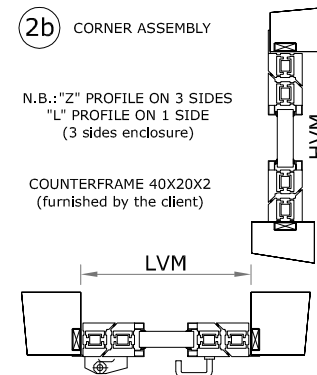
COUNTERFRAME 40X20X2  
(furnished by the client)



2b CORNER ASSEMBLY

N.B.: "Z" PROFILE ON 3 SIDES  
"L" PROFILE ON 1 SIDE  
(3 sides enclosure)

COUNTERFRAME 40X20X2  
(furnished by the client)



Dimensions in mm.

LVM \_\_\_\_\_ x HVM \_\_\_\_\_

EI 30 glass  
(external use)

EI 60 glass  
(external use)

**FAEL**  
 Fael Security Srl  
 Via E. Majorana  
 72100 Brindisi - ITALIA  
 Tel. 0831-546563 Fax 0831-546674  
 E-mail: fael@fael.com  
 Web: http://www.fael.com

**VITRALIGHT**  
**FIRE RESISTANT GLAZED WINDOW**  
**EI 30/60 ALUMINIUM PROFILE**  
**(One Leaf)**  
**EXTERNAL USE**

Client: \_\_\_\_\_

Order n° \_\_\_\_\_ date \_\_\_\_\_

Ref. : \_\_\_\_\_

Stamp and Signature

Date: