



Fael Security Srl
Via E. Majorana
72100 Brindisi - ITALIA
Tel. 0831-546563 Fax 0831-546674
E-mail: fael@fael.com
Web: http://www.faelsecurity.com

El2 120 SLIDING DOOR "CROSSWALK 120"

Marked according to EN 16034:2014 and 13241:2016

- Fire rated sliding door for internal use and covered areas.
- Install in a draught-free environment.
- Installation to be made only by specialised personnel.
- Install on plumb and coplanar compartments or structures.

Client: _____

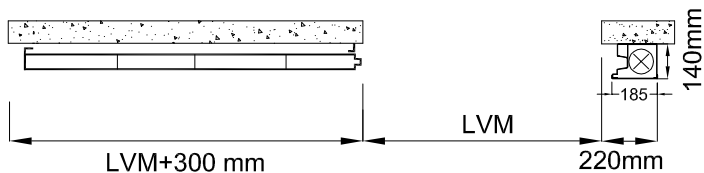
CTR.N°: _____ dd _____

S1.en

(Sheet Mod. 850-A)

1 leaf Sliding Door

Q.ty: _____

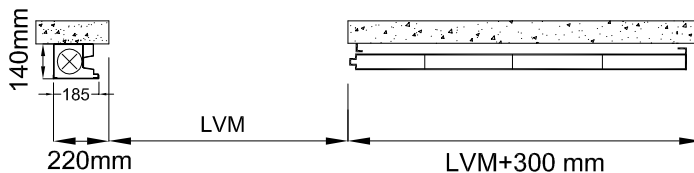


LVM _____ x HVM _____

Pull Left

1 leaf Sliding Door

Q.ty: _____

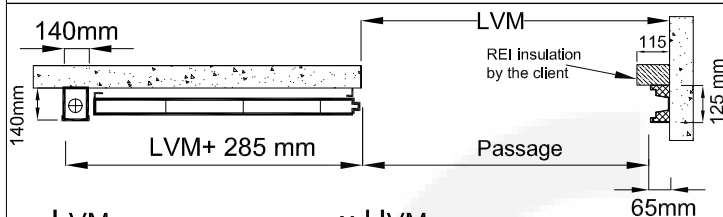


LVM _____ x HVM _____

Pull Right

1 leaf sliding door (rebated)

Q.ty: _____

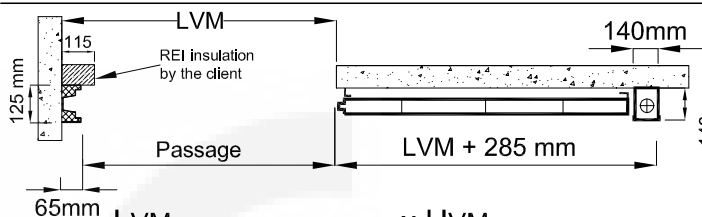


LVM _____ x HVM _____

Pull Left

1 leaf sliding door (rebated)

Q.ty: _____

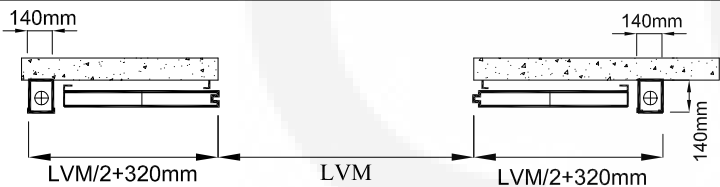


LVM _____ x HVM _____

Pull Right

2 Leaves sliding doors

Q.ty: _____



LVM _____ x HVM _____

Pull right - left

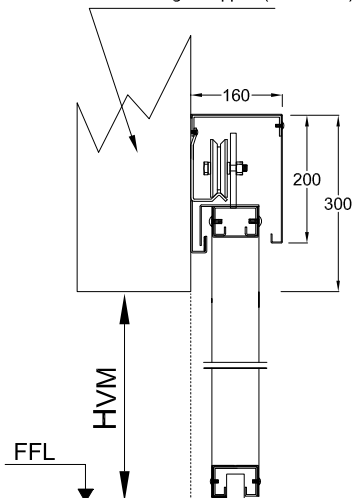


Leaves elements are made of independent panels
Planned deformability panels

Standard Assembly

Vertical Sec.

Standardised Rigid Support (EN 1363-1)

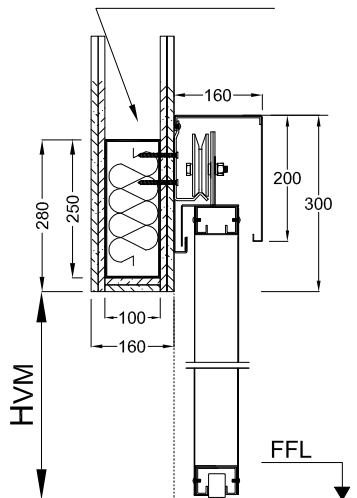


Standard

Mounting on Beam

Vertical Sec.

Standardised Flexible Support (EN 1363-1)



On beam

ACCESSORIES

MANDATORY

- Electromagnet + push button release
- Double Electromagnet + push button release
- Radial Damper
- Double Radial Damper
- Shock Absorber
- Double Shock Absorber

OPTIONALS

- Rebated (counterweight postponed)
- Smoke Tightness Sa (EN 1634-3:2005)
- Visual panel 300x400 mm
- Night Lock (External application)
- Smoke and heat detector RFC
- Single zone fire alarm RFC/C

RAL: _____

Note:

Note: Anchoring screws for the structure are **NOT** included.

LVM = Structural Opening Width
HVM = Structural Opening Height
FFL = Finished Floor Level

DATE: _____

Stamp and Signature: _____