



Fael Security Srl  
Via E. Majorana  
72100 Brindisi - ITALIA  
Tel. 0831-546563 Fax 0831-546674  
E-mail: fael@fael.com  
Web: http://www.faelsecurity.com

## El<sub>2</sub> 120 SLIDING DOOR "CROSSWALK 120"

Marked according to EN 16034:2014 and 13241:2016

- Fire rated sliding door for internal use and covered areas.
- Install in a draught-free environment.
- Installation to be made only by specialised personnel.
- Install on plumb and coplanar compartments or structures.

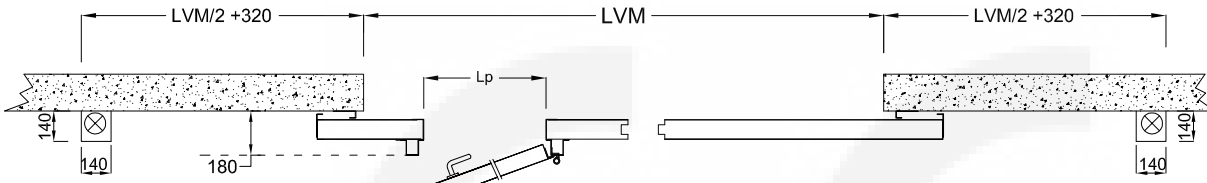
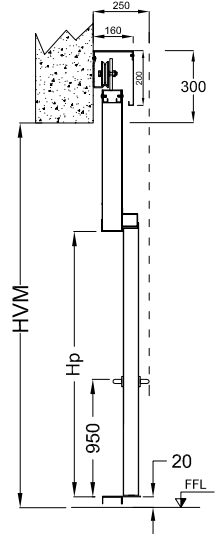
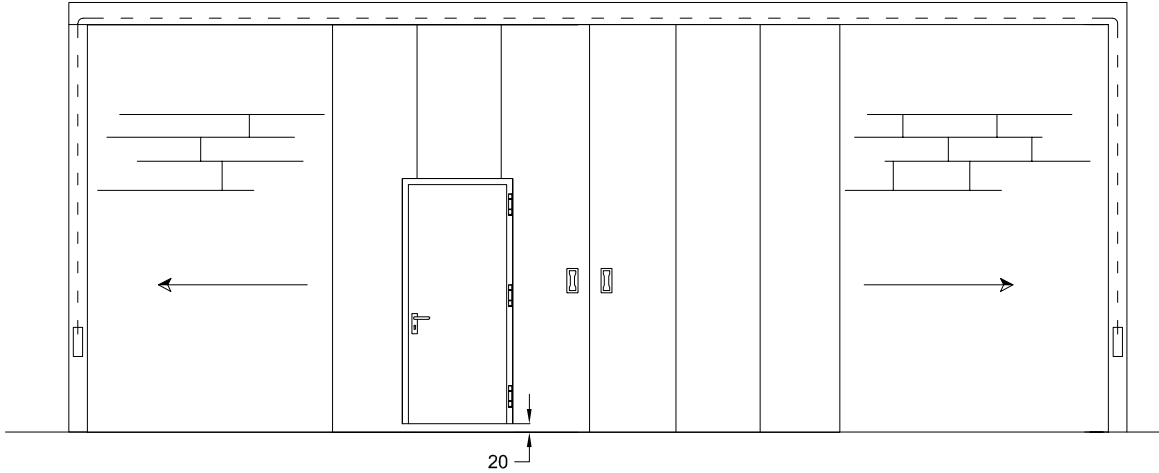
Client: \_\_\_\_\_

CTR.N°: \_\_\_\_\_ dd \_\_\_\_\_

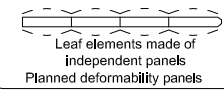
**S1/P2t.en**

(Sheet Mod. 850-A)

### Front View



LVM = Structural Opening Width  
HVM = Structural Opening Height  
Wp = Passage Width (door)  
Hp = Passage Height (door)  
FFL = Finished Floor Level



**Pedestrian door Pull side**

Example of sliding door double leaves front view with insertion of pedestrian door pull right placed on the left leaf of sliding door

**Pedestrian door pull side**

<input type="checkbox"/> Pull Left	<input type="checkbox"/> Pull Right	<input type="checkbox"/> Wp.= 950xHp.= 2020
<input type="checkbox"/> Pull Left	<input type="checkbox"/> Pull Right	<input type="checkbox"/> Wp.= 1200xHp.= 2020
<input type="checkbox"/> Pull Left	<input type="checkbox"/> Pull Right	<input type="checkbox"/> Wp.= 950 x Hp.= 2120
<input type="checkbox"/> Pull Left	<input type="checkbox"/> Pull Right	<input type="checkbox"/> Wp.= 1200xHp.= 2120

*Double leaves symmetrical sliding door*  
LVM = \_\_\_\_\_ mm x HVM = \_\_\_\_\_ mm

Pedestrian door towards Pull .  
For push-to-open pedestrian doors, please contact our Technical Department.

**ACCESSORIES**  
MANDATORY

Double Electromagnet + push button release	<input type="checkbox"/>
Double Radial Damper	<input type="checkbox"/>
Double Shock absorber	<input type="checkbox"/>

PEDESTRIAN DOOR

Couple of handle	<input type="checkbox"/>
Push-bar (black body and red bar)	<input type="checkbox"/>
Vision Panel dim. 300x400 mm	<input type="checkbox"/>

Note: Handle/panic bar height = 950 mm

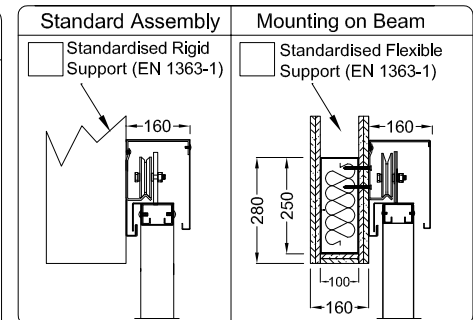
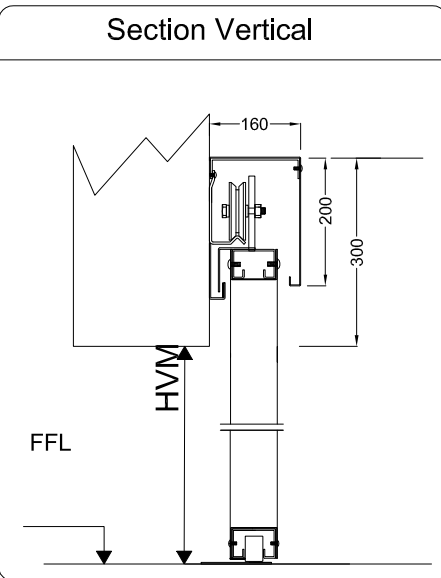
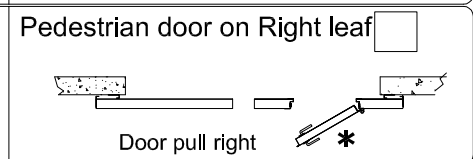
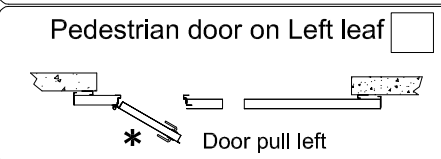
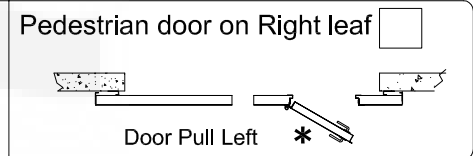
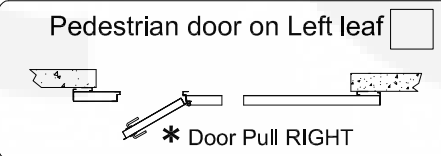
OPTIONALS

Smoke Tightness Sa (EN 1634-3:2005)	<input type="checkbox"/>
Night Lock (External application)	<input type="checkbox"/>
Detector (smoke and heat) RFC	<input type="checkbox"/>
Single zone fire Alarm RFC/C	<input type="checkbox"/>

RAL: \_\_\_\_\_

Note:

Note: Anchoring screws for the structure are **NOT** included.



Date -- Stamp and Signature